

4MP SD Card Mini Fixed Bullet Network Camera

IPC2124SR3-ADPF28(40)M-F



Key Features

Optics

- Day/night functionality
- Smart IR, up to 30m (98ft) IR distance
- Optical glass window with higher light transmittance
- IR anti-reflection window to increase the infrared transmittance
- 2D/3D DNR (Digital Noise Reduction)
- SD Card

Compression

- Ultra 265, H.265, H.264, MJPEG
- ROI (Region of Interest)

Network

- ONVIF Conformance

Structure

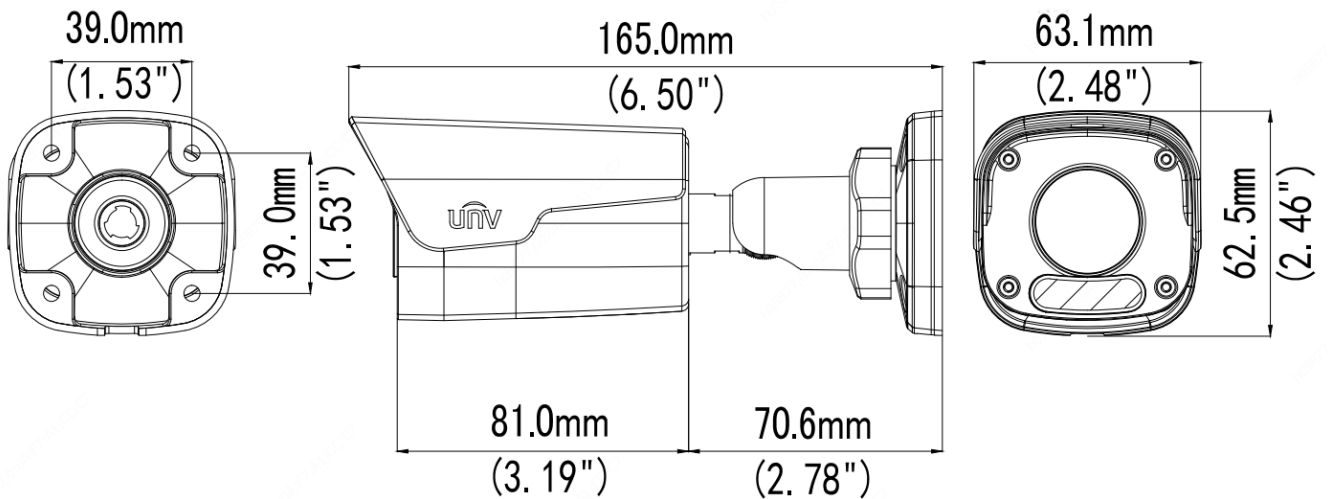
- Wide temperature range: -30°C ~ 60°C (-22°F ~ 140°F)
- Wide voltage range of ±25%
- IP67
- 3-Axis

Specifications

| | IPC2124SR3-ADPF28M-F | IPC2124SR3-ADPF40M-F | | | |
|-------------------------|--|----------------------|----------------|---------------|-------------------|
| Camera | | | | | |
| Sensor | 1/3", 4.0 megapixel, progressive scan, CMOS | | | | |
| Lens | 2.8mm@F2.0 | | 4.0mm@F2.0 | | |
| DORI Distance | Lens (mm) | Detect (m) | Observe (m) | Recognize (m) | Identify (m) |
| | 2.8 | 63.0 | 25.2 | 12.6 | 6.3 |
| | 4.0 | 90.0 | 36.0 | 18.0 | 9.0 |
| Angle of View (H) | 107.8° | | 82.0° | | |
| Angle of View (V) | 57.0° | | 41.6° | | |
| Angle of View (O) | 140.1° | | 100.9° | | |
| Adjustment angle | Pan: 0° ~ 360° | | Tilt: 0° ~ 90° | | Rotate: 0° ~ 360° |
| Shutter | Auto/Manual, 1 ~ 1/100000s | | | | |
| Minimum Illumination | Colour:0.01Lux (F2.0, AGC ON) 0Lux with IR on | | | | |
| Digital noise reduction | 2D/3D DNR | | | | |
| Day/Night | IR-cut filter with auto switch (ICR) | | | | |
| S/N | >56dB | | | | |
| IR Range | Up to 30m (98 ft) IR range | | | | |
| WDR | 120dB | | | | |
| Video | | | | | |
| Video Compression | Ultra 265, H.265, H.264, MJPEG | | | | |
| H.264 code profile | Baseline profile, Main Profile | | | | |
| Frame Rate | Main Stream: 4MP (2592*1520), Max 30fps; 4MP (2560*1440), Max 30fps; 3MP (2304*1296), Max 30fps; 1080P(1920*1080), Max 30fps Sub Stream: 4CIF (704*576), Max 30fps; Third Stream: CIF (352*288), Max 30fps | | | | |
| HLC | Supported | | | | |
| BLC | Supported | | | | |
| OSD | Up to 4 OSDs | | | | |
| Privacy Mask | Up to 4 areas | | | | |
| ROI | Up to 2 areas | | | | |
| Motion Detection | Up to 4 areas | | | | |
| Audio | | | | | |
| Audio Compression | G.711 | | | | |
| Suppression | Supported | | | | |
| Sampling Rate | 8KHZ | | | | |
| Storage | | | | | |
| Edge Storage | Micro SD, up to 256GB | | | | |
| Network Storage | ANR | | | | |
| Network | | | | | |
| Protocols | IPv4, IGMP, ICMP, ARP, TCP, UDP, DHCP, RTP, RTSP, RTCP, DNS, DDNS, NTP, FTP, UPnP, HTTP, HTTPS, SMTP, SSL | | | | |

| | |
|------------------------|--|
| Compatible Integration | ONVIF (Profile S, Profile G, Profile T), API |
| Interface | |
| Network | 1 RJ45 10M/100M Base-TX Ethernet |
| Built-in Mic | Supported |
| General | |
| Power | DC 12V±25%, PoE (IEEE 802.3af) |
| | Power consumption: Max 6.4W |
| Dimensions (L × W × H) | 165 × 63.1 × 62.5mm (6.5" × 2.5" × 2.5") |
| Weight | 0.45kg (0.99lb) |
| Working Environment | -30°C ~ 60°C (-22°F ~ 140°F), Humidity: ≤95% RH (non-condensing) |
| Ingress Protection | IP67 |

Dimensions



Zhejiang Uniview Technologies Co., Ltd.

Building No.10, Wanlun Science Park, Jiangling Road 88, Binjiang District, Hangzhou, Zhejiang, China (310051)

Email: overseasbusiness@uniview.com; globalsupport@uniview.com

<http://www.uniview.com>

©2019 Zhejiang Uniview Technologies Co., Ltd. All rights reserved.

*Product specifications and availability are subject to change without notice.